

Power Dividers



2-18 GHz

MULTI-OCTAVE TYPE N 2 AND 4-WAY POWER DIVIDERS

- Precision, Multi-Octave Units Cover 2-8 and 6-18 GHz
- Excellent Phase and Amplitude Tracking
- Low Input VSWR
- High Isolation Between Output Ports

SPECIFICATIONS

FREQUENCY RANGE GHz	MODEL	BAND SEGMENTS	VSWR		INSERTION LOSS dB (Max)	ISOLATION dB (Min)	AMP BAL dB (Max)	PHASE BAL Degrees (Max)	AVG POWER Watts(Max) LOAD VSWR			WEIGHT Oz Gr	
			INPUT (Max)	OUTPUT dB					1.2	2.0	∞		
2-8	3324-2	2-4	1.35	1.25	0.7	20	0.20	3	30	10	1	5.0	140
		4-8	1.35	1.25	0.7	20	0.30	4	30	10	1	5.0	140
6-18	3326B-2	6-12.4	1.60	1.50	0.6	20	0.20	3	30	10	1	4.8	135
		12.4-18	1.50	1.50	1.10	17	0.30	4	30	10	1	4.8	135
2-18	3456-2	2-8	1.50	1.50	0.7	20	0.3	6	30	10	1	7.1	200
		8-18	1.50	1.50	1.40	19	0.5	9	30	10	1	7.1	200

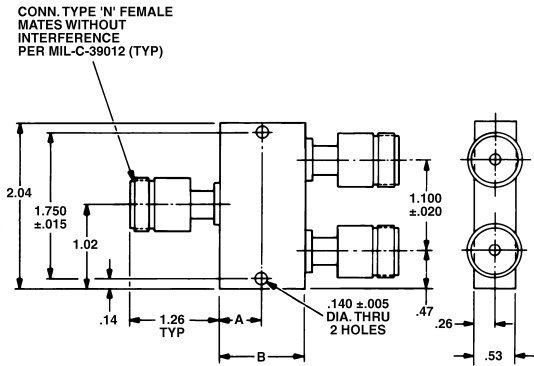
4-Way Multi-Octave Power Divider

FREQUENCY RANGE GHz	MODEL	VSWR		INSERTION LOSS dB (Max)	ISOLATION dB (Min)	AMP BAL dB (Max)	PHASE BAL Degrees (Max)	AVG POWER Watts(Max) LOAD VSWR			WEIGHT Oz Gr	
		INPUT	OUTPUT					1.2	2.0	∞		
2-8	3324-4	1.45	1.35	0.9	18	0.4	7	30	10	1	9.7	275
6-18	3326B-4	1.50	1.50	2.0	18	0.5	7	30	10	1	8.9	250

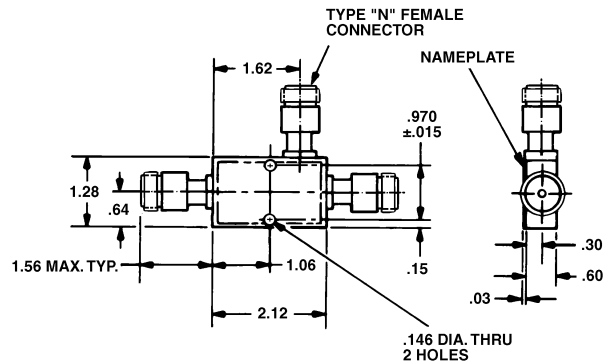
CONNECTOR: Type N Female, all ports

Power Dividers

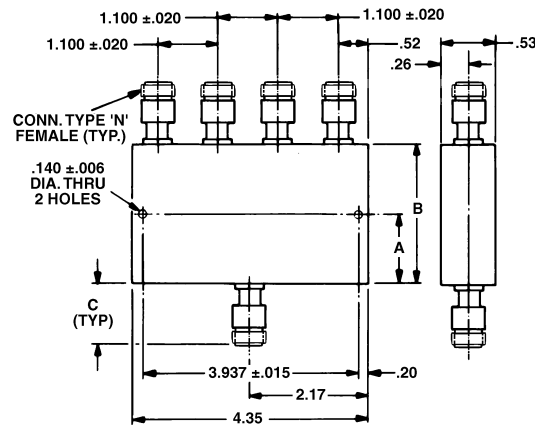
OUTLINE DRAWINGS



MODEL	A	B
3324-2	.86	1.73
3326B-2	.52	1.04



MODEL 3456-2



MODEL	A	B	C
3324-4	1.74	3.49	1.23
3326B-4	.73	1.46	1.23

All dimensions are Max. unless otherwise specified.